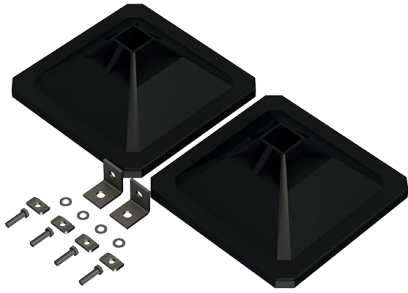


PRODUCT CODE: MP305  
H FRAME KIT



DESCRIPTION

305mm H Frame Kit

FINISH

Foot: Black / Brackets & Fixings: HDG

MATERIAL

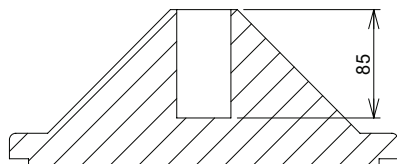
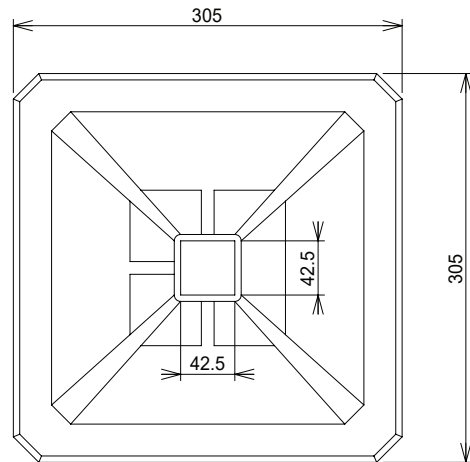
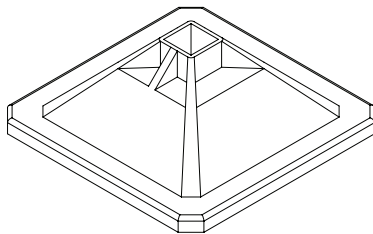
Foot: HDPE / Brackets & Fixings: Carbon Steel

PACKAGING

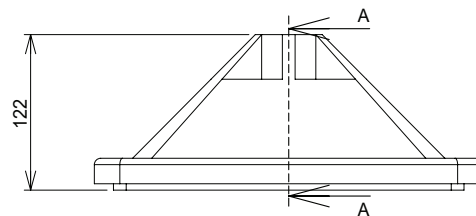
Supplied individually


ADDITIONAL NOTES

SWL: 350kg (product weight = 4.1kg)  
Kit consists; 2 x feet, 2 x angle brackets, 4 x M10 bolts & washers and 4 x plain M10 channel nuts  
Designed for use with standard 41 x 41mm channel



SECTION A-A



 Values are nominal and with a general tolerance  $\pm 5\%$  unless otherwise specified